



12 VOLT RECHARGEABLE SERIES

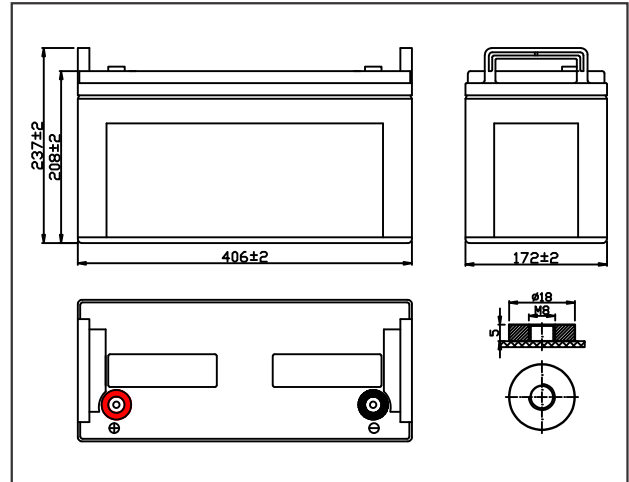
MODEL: TP120-12

Product Code: VRLA-12120001



Plane Chart:

Unit:(mm) Terminal type:(T2)



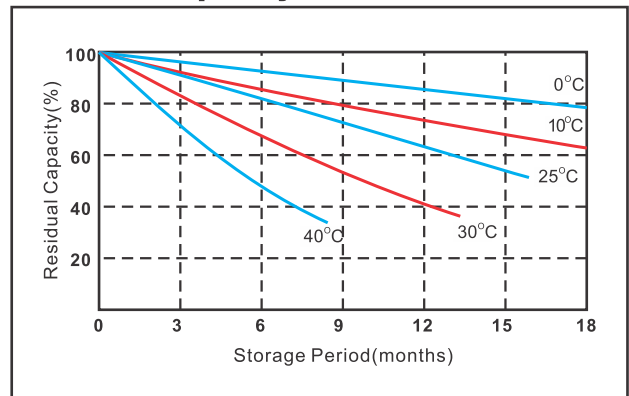
ISO 9001
 ISO 14001
 OHSAS18001



Parameter Chart:

Volts		12V	
Capacity(25°C)	10 hours rate (12A)	120Ah	
Discharge Current Testing (25°C)	1 hours rate (66A)	68Ah	
	3 hours rate (30A)	93Ah	
Internal Resistance	Full Charged Battery 25°C	4mΩ	
Capacity Affected By Temperature	40°C	104%	
	25°C	100%	
	0°C	83%	
	-15°C	65%	
Residual Capacity (25°C)	Capacity After 3 Months Storage	91%	
	Capacity After 6 Months Storage	82%	
	Capacity After 12 Months Storage	65%	
Charge (Constant Voltage)	Cycle (25°C)	Initial Charging Current Less Than 36A Voltage 14.5~14.9V	
	Float (25°C)	Charge Voltage 13.6~13.8V	
Weight (Approx)		34 Kg	

Residual Capacity



Discharge Current 25°C

